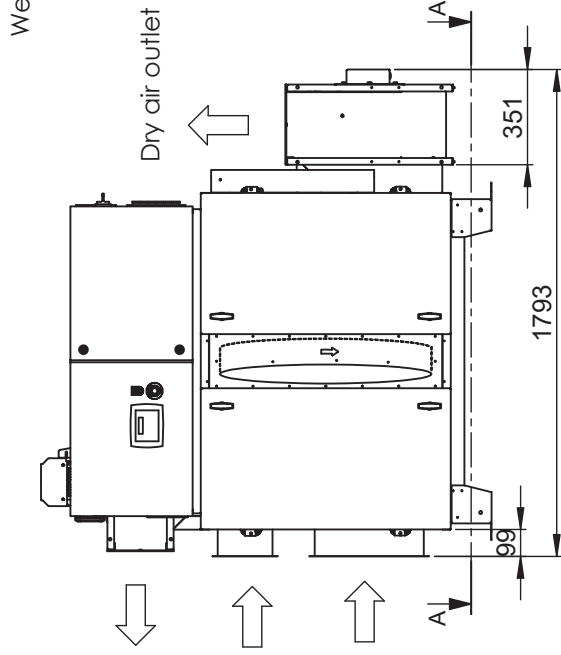
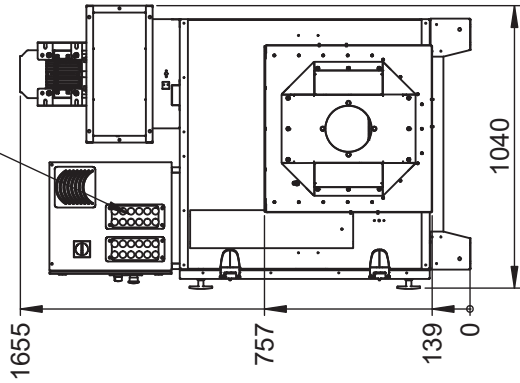
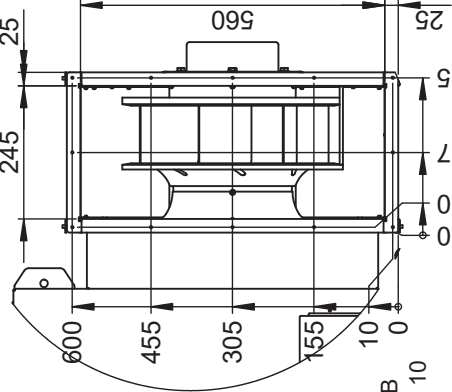
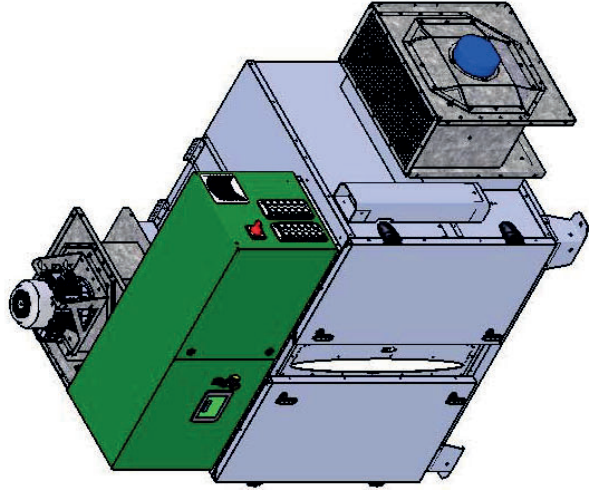
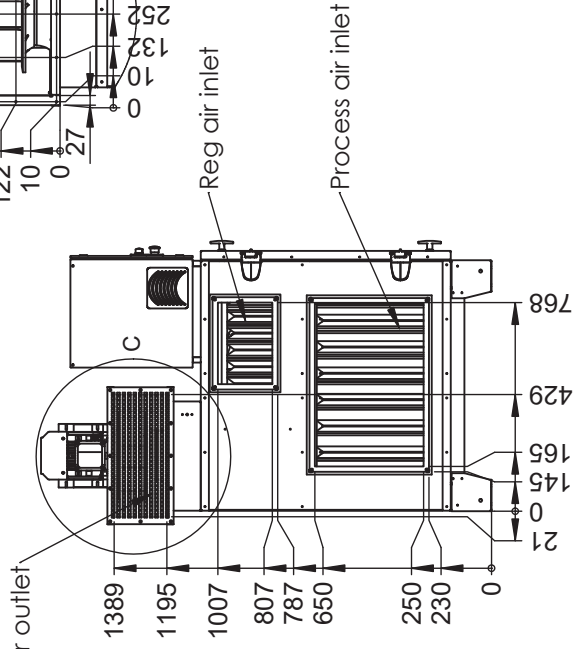
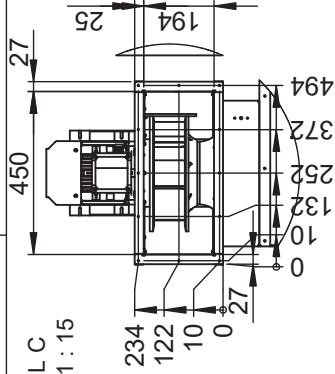


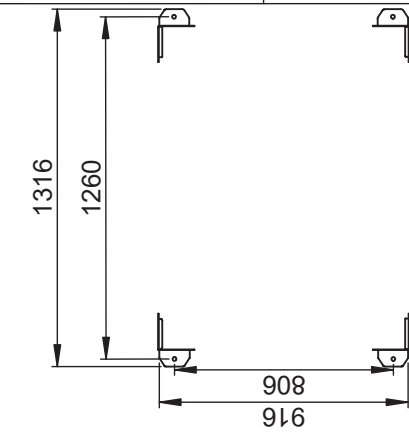
Electric system



DETAIL C  
SCALE 1 : 15



DETAIL B  
SCALE 1 : 10



SECTION A-A



Designed by	Aynur Polat	Date	2018-02-21
Drawn by	Aynur P	Date	2018-02-21
Approved by	AP	Date	2020-10-26
Material		Thickness	t=
Standard	Construction	Tolerance	
Scale	1:20	Formed	A3
Sheet	1/1	Sheeted	04
Weight (kg)		Weight (kg)	325.000

Title/Description  
Installation drawing RLZ-82R

RLZ-82

Drawing no

DST09941

Rev

03

Seibu Giken DST AB  
+46 8 445 77 20  
www.dst-sg.com

This document and its contents are the exclusive property of DST Seibu Giken and must not be copied, reproduced, transmitted or communicated to any other party or used for purposes not expressly permitted by us.