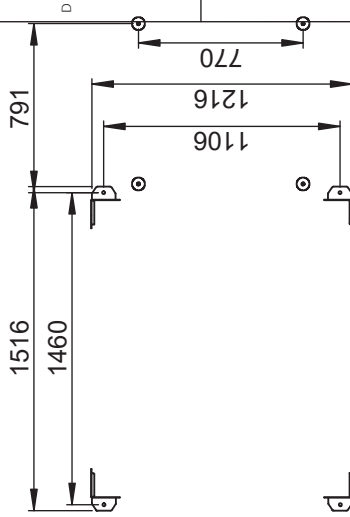
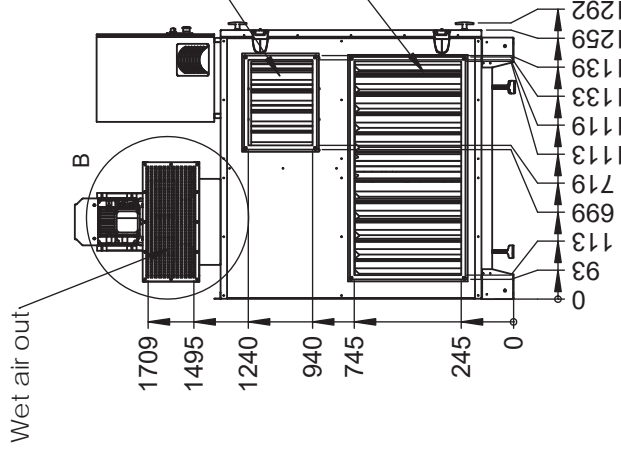
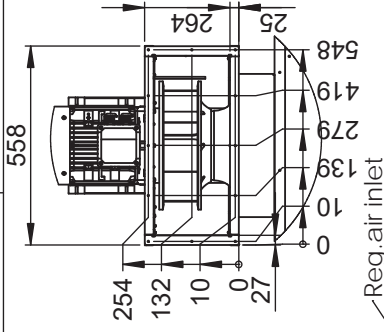
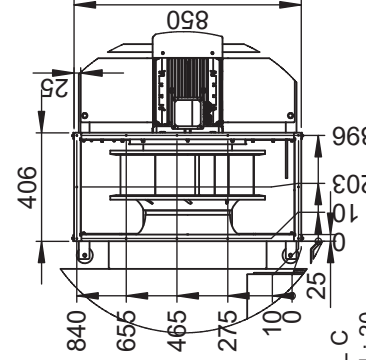


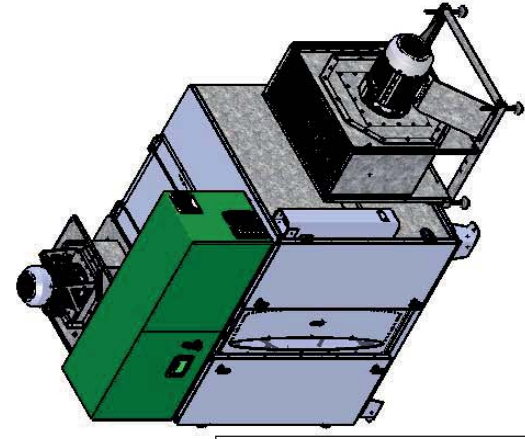
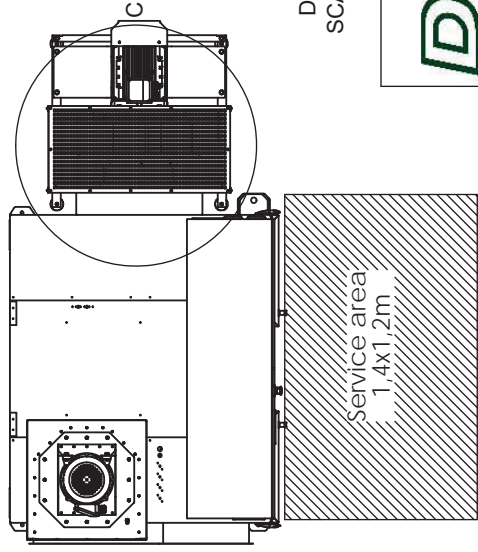
DETAIL B
SCALE 1 : 15



SECTION A-A
SCALE 1 : 25



DETAIL C
SCALE 1 : 20



This document and its contents are the exclusive property of DST Seibu Giken and must not be copied, reproduced, transmitted or communicated to any other party or used for purposes not expressly permitted by us.

		Title/Description Installationsritning RLZ-104R Installations drawing		Rev 00+	
Designed by Aynur P	Date 2018-03-20	Drawn by Aynur P	Date 2018-05-17	Drawing no DST10011	Rev 00+
Checked by -	Date -	Approved by -	Date -	Scale 1:50 A3	Project No 00+
Status Construction	Thickness ISO 2768-1m	Material t=	Weight (kg) 339.623	Seibu Giken DST AB +46 8 445 77 20 www.dst-sg.com	Project No 00+