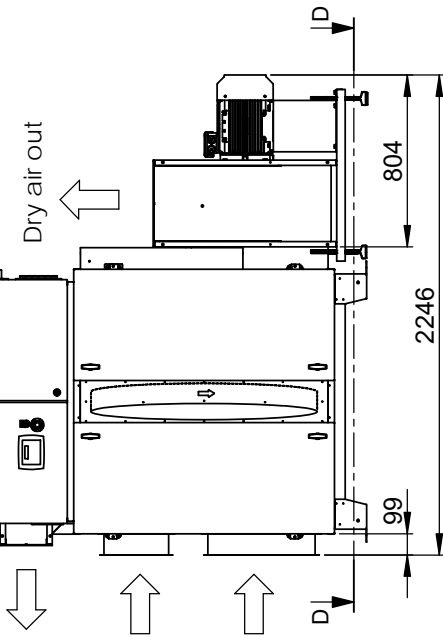
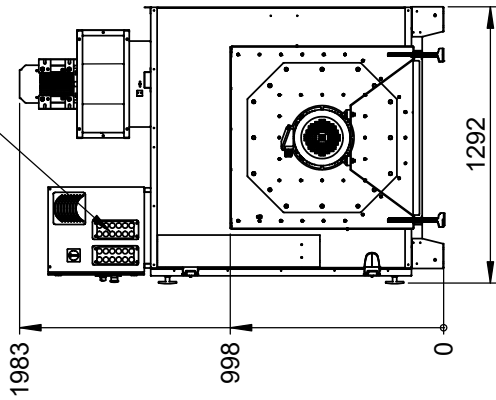
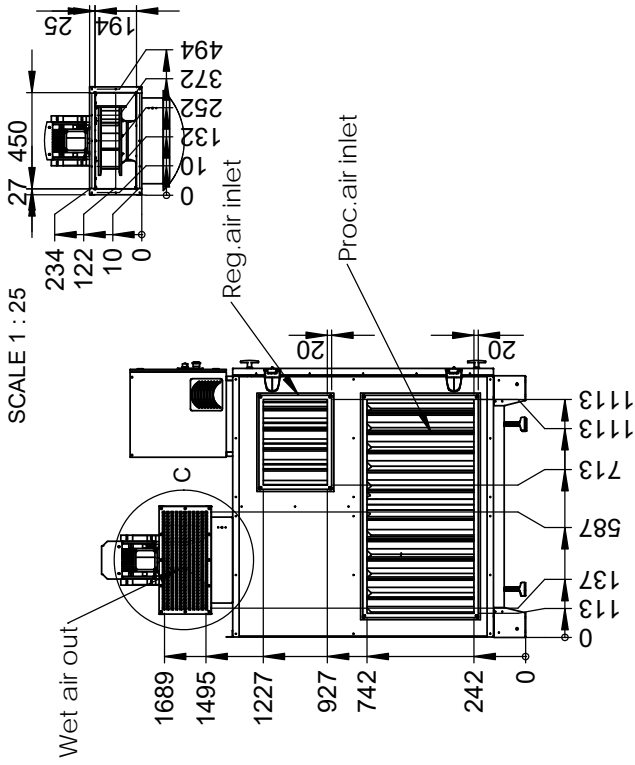


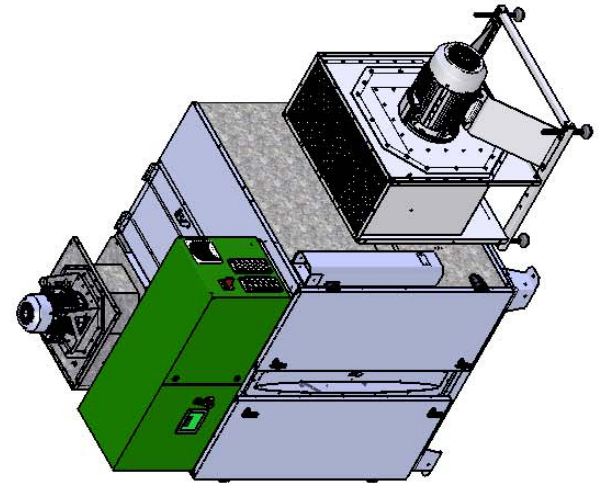
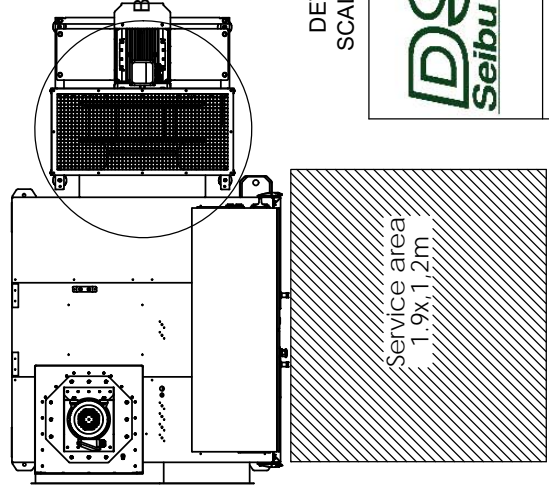
Electric system




DETAIL C
SCALE 1 : 25



DETAIL B
SCALE 1 : 20



SECTION D-D
SCALE 1 : 25

 DST Seibu Giken	Design by Aynur Polat	Date 2018-05-16	Title/Description Installation drawing RLZ-102R ICE/ RLZ-102LR	Drawing no DST10381	Rev 03
	Drawn by Aynur P	Date 2018-05-16	Approved by AP	Date 2020-10-27	Material Thickness t=
Seibu Giken DST AB +46 8 445 77 20 www.dst-sg.com		Scale 1:50 A3	Sheet No. 1/1	Rev Part 03	Sheet Total 568

This document and its contents are the exclusive property of DST Seibu Giken and must not be copied, reproduced, transmitted or communicated to any other party or used for purposes not expressly permitted by us.