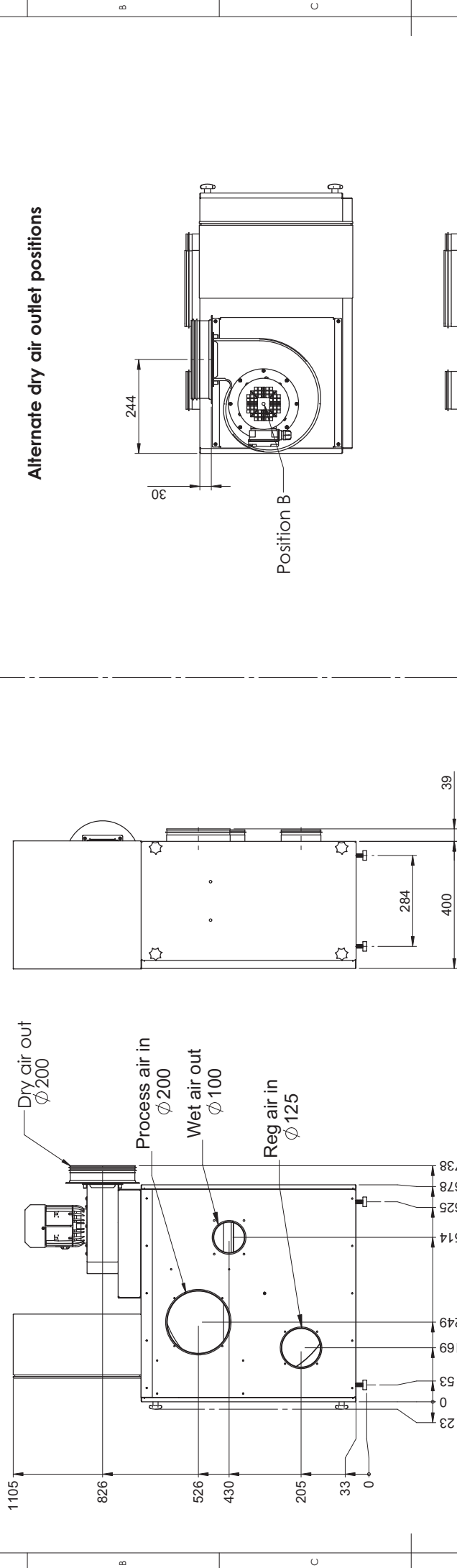
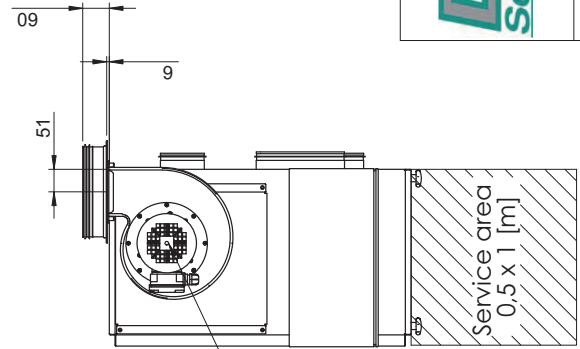
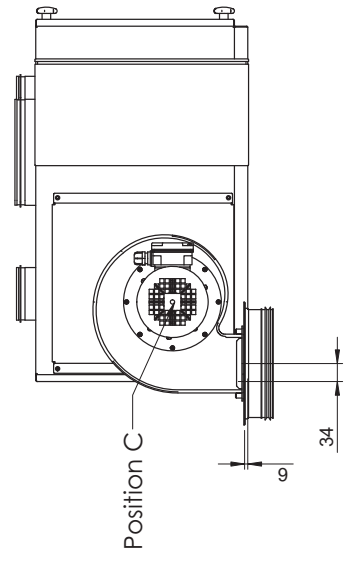
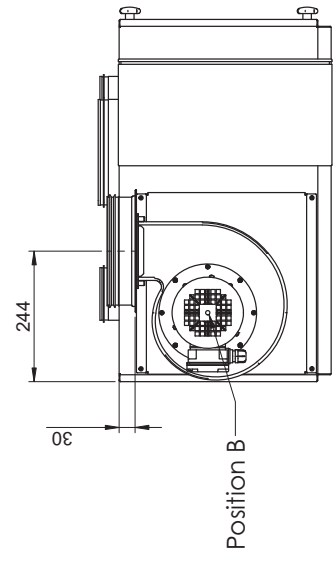


REV. 01		DESCRIPTION		DATE		APPROVED	
01		Views for alternate dry air fan positions added		2014-11-17		EL	




**Alternate dry air outlet positions**



**Packing Dimensions:**  
WXHD = 600 x 800 x 1175

This document and its contents are the exclusive property of DST Seibu Giken and must not be copied, reproduced, transmitted or communicated to any other party or used for purposes not expressly permitted by us.



**Installation drawing R-060BR**  
Installation drawing R-060BR

Designed by	Catarina S	Date	2013-11-28
Drawn by	Catarina S	Date	2013-11-28
Approved by	-	Date	-
Material	t=		
Status	Construction	ISO 2768-1m	
Scale	1:12 A3	Sheet/Sheet	1/1 01
		Weight (kg)	63.000

Seibu Giken DST AB  
+46 8 445 77 20  
www.dst-sg.com

Drawing no	DST05292	Rev	01+
------------	----------	-----	-----