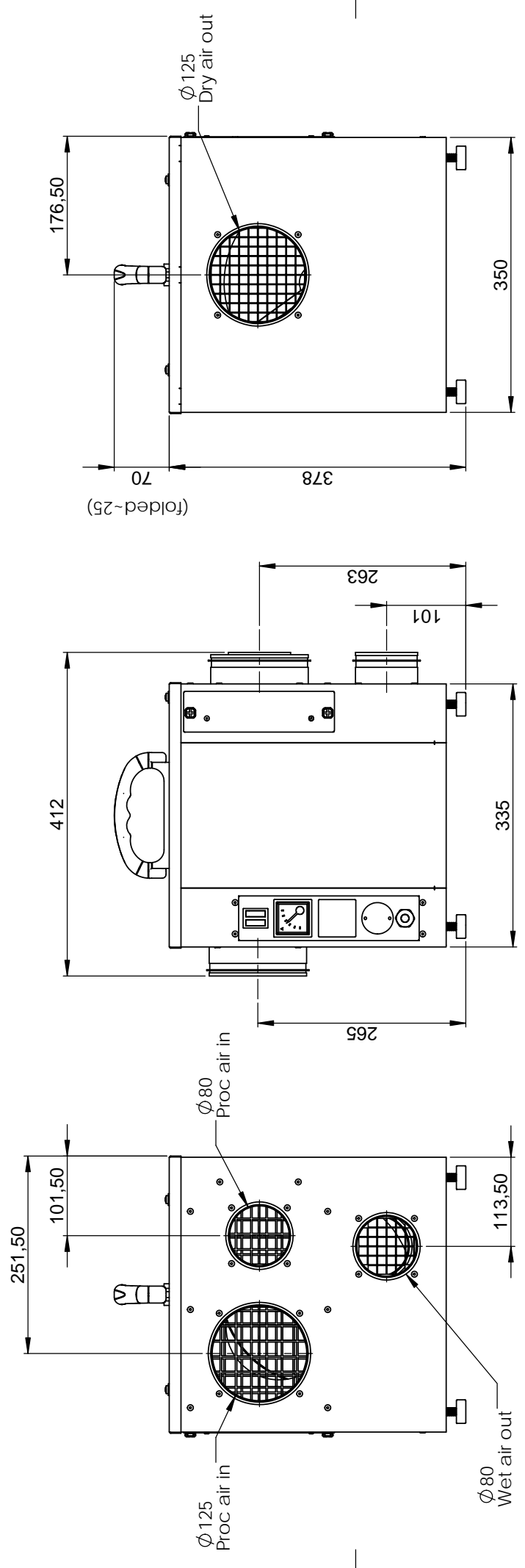


1		2		3		4		5		6		7		8	
REVISIONS															
REV.	DESCRIPTION										DATE	APPROVED			
01	Updated unit weight										2012-12-06	SO			



This document and its contents are the exclusive property of DST Seibu Giken and must not be copied, reproduced, transmitted or communicated to any other party or used for purposes not expressly permitted by us.



		Designed by	Stefan O	Date	2010-09-20										
		Drawn by	Stefan O	Date	2010-09-20										
Seibu Giken DST AB +46 8 4445 77 20 www.dst-sg.com		Approved by	-	Date	-										
		Material	-	Thickness	t=										
Status	Construction	ISO 2768-1m	<table border="1"> <tr> <td>Form</td> <td>Sheet/Sheet</td> <td>Rev Part</td> <td>Rev Part</td> <td>Rev Part</td> </tr> <tr> <td>1:5</td> <td>A3</td> <td>1/4</td> <td>01</td> <td>15 / 17</td> </tr> </table>			Form	Sheet/Sheet	Rev Part	Rev Part	Rev Part	1:5	A3	1/4	01	15 / 17
Form	Sheet/Sheet	Rev Part				Rev Part	Rev Part								
1:5	A3	1/4	01	15 / 17											
Scale	1:5	A3	Title/Description Dimensionsritning Dimension drawing DR-20B/DR-30D												
Drawing no DST01986		Rev 01													