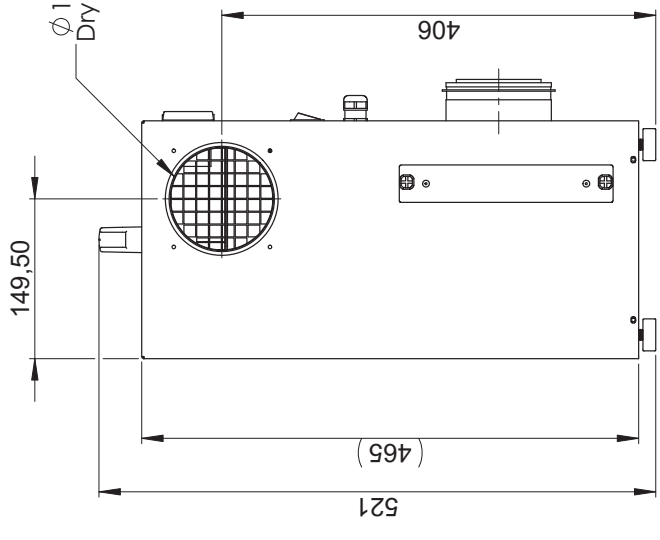
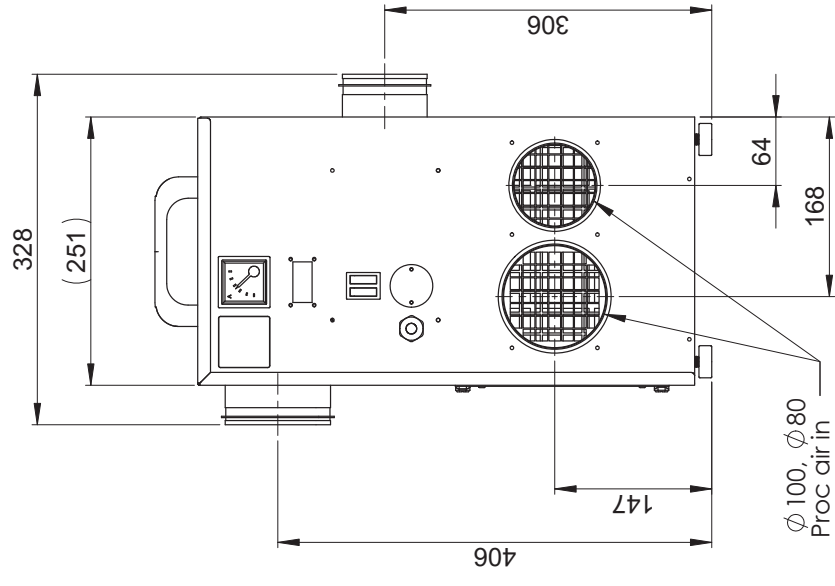
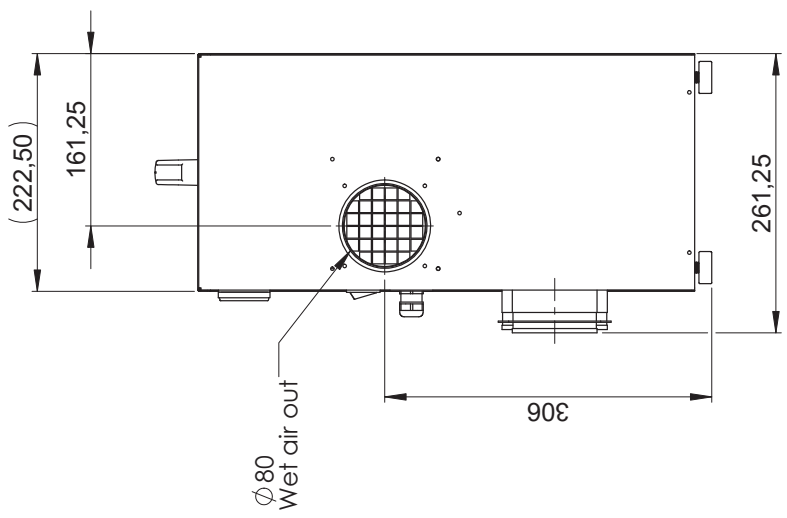



REVISIONS			
REV.	DESCRIPTION	DATE	APPROVED
01	Updated unit weight	2012-12-07	SO



This document and its contents are the exclusive property of DST Seibu Giken and must not be copied, reproduced, transmitted or communicated to any other party or used for purposes not expressly permitted by us.



Seibu Giken DST AB
 +46 8 445 77 20
 www.dst-sg.com

Drawn by	Stefan O	Date	2012-12-03
Drawn by	Stefan O	Date	2012-12-03
Material		Thickness	t=
Scale	1:5	Format	A3
Sheet/Sheet	1/4	Rev Part	01
Material	Construction	Tolerance	ISO 2768-1m
Material		Rev Part	01
Material		Rev Part	12

DR-010B

Title/Description		Rev
Dimensionsritning Dimension drawing		01
Drawing no	DST04472	