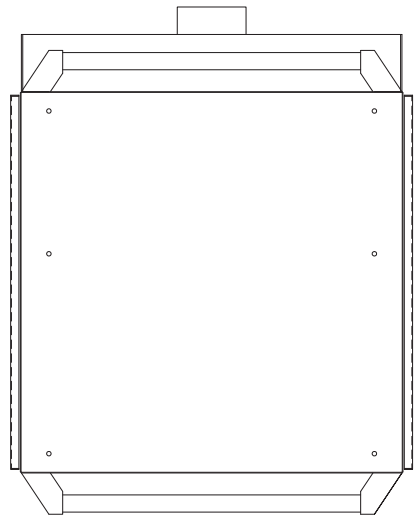
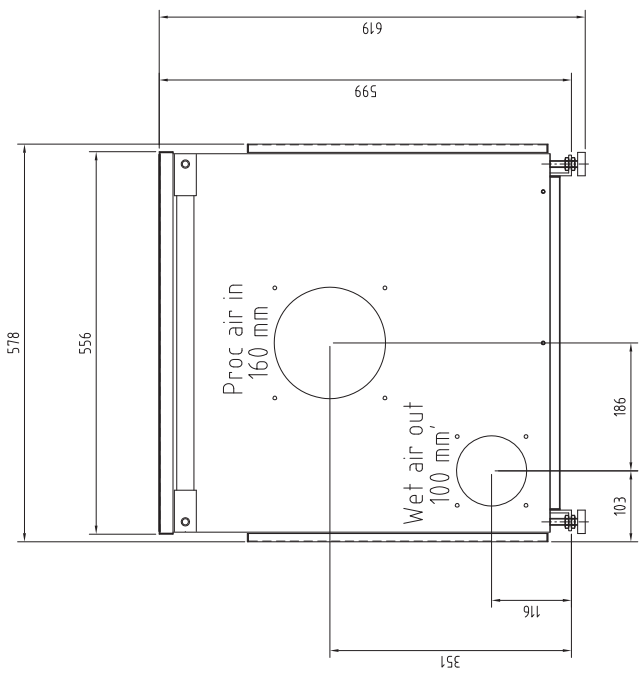
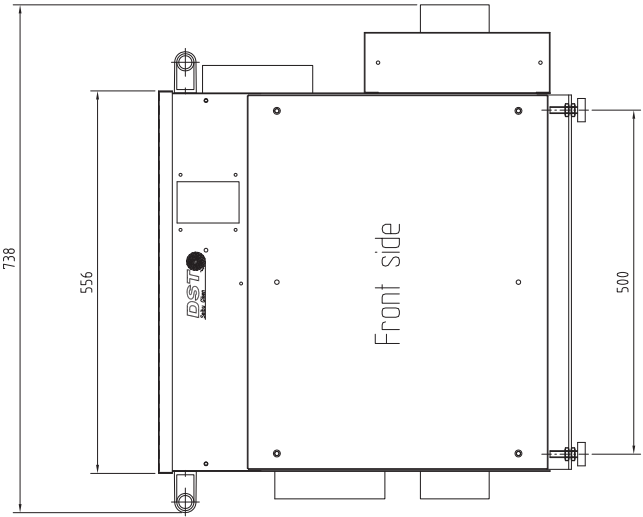
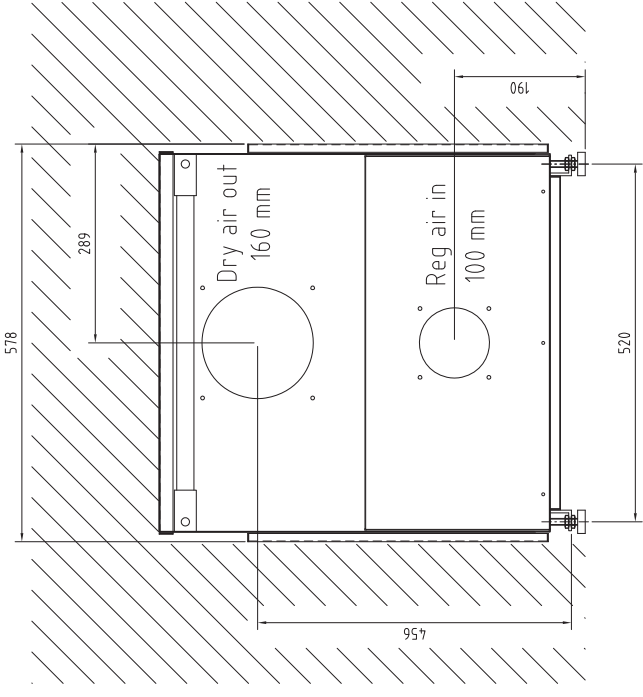


Do not place on floor. Use lifting device.  
 Do not use for transport. Use lifting device.  
 Do not use for storage. Use lifting device.

Appr. 1 metre free service space, above, front and rear side



No	Art	Bezeichnung	Datum	Int	Lock
01		Mounted feets	08-12-04 AL		
02		Service area added	10-06-14 AL		
03		Added unit weight	12-12-06 SO		

Dezign	Art	Bezeichnung	Material	Dimension/VAH	Abmähigung	Scale	Proj. UJ	Datum	Proj. UJ	Drawn	Proj. UJ
				630G				2005-11-30			
DC-50R											
Dimension drawing											
050 1 9121-03											