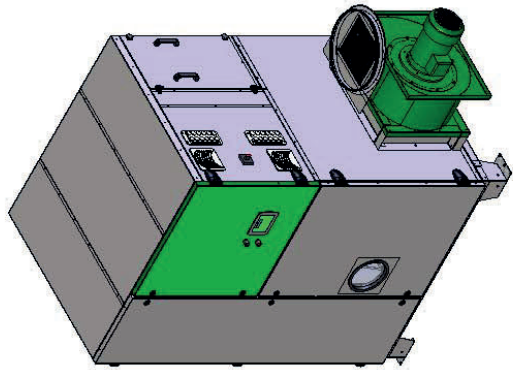
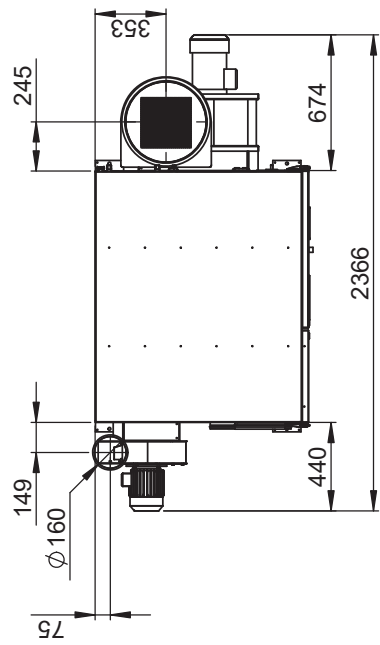
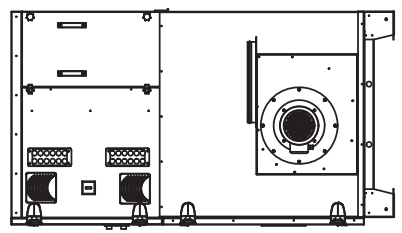
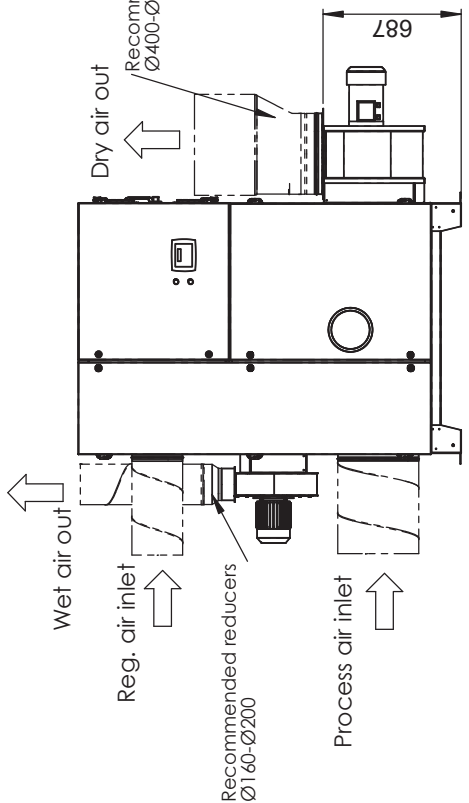
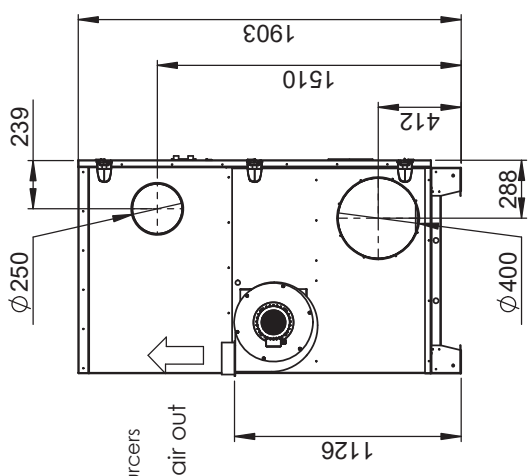



REVISIONS		DATE	APPROVED
REV.	DESCRIPTION	2013-10-29	KS
01	Recommended reducers added		



This document and its contents are the exclusive property of DST Seibu Giken and must not be copied, reproduced, transmitted or communicated to any other party or used for purposes not expressly permitted by us.



Seibu Giken DST AB
+46 8 445 77 20
www.dst-sg.com

Designed by: **Catarina S** Date: **2011-04-04**

Drawn by: **Catarina S** Date: **2011-04-07**

Approved by: _____

Material: _____

Scale: **Construction** ISO 2768-1m

Scale: **1:25** A3 1/1 01 800.664

Sheet No: _____ Total: _____

Thickness: **t=** _____

Title/Description: **Installationsritning CZ-82**

Installation drawing

Drawing no: **DST02710**

Rev: **01**