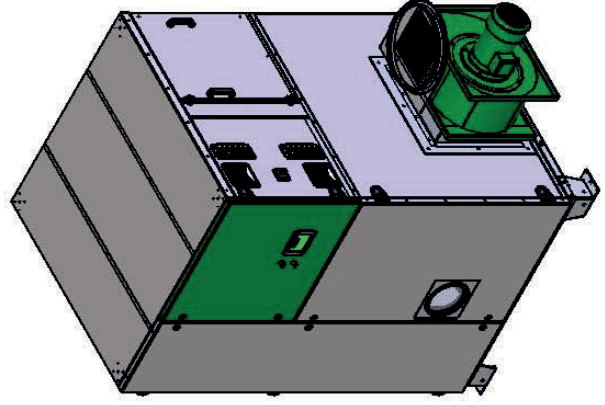
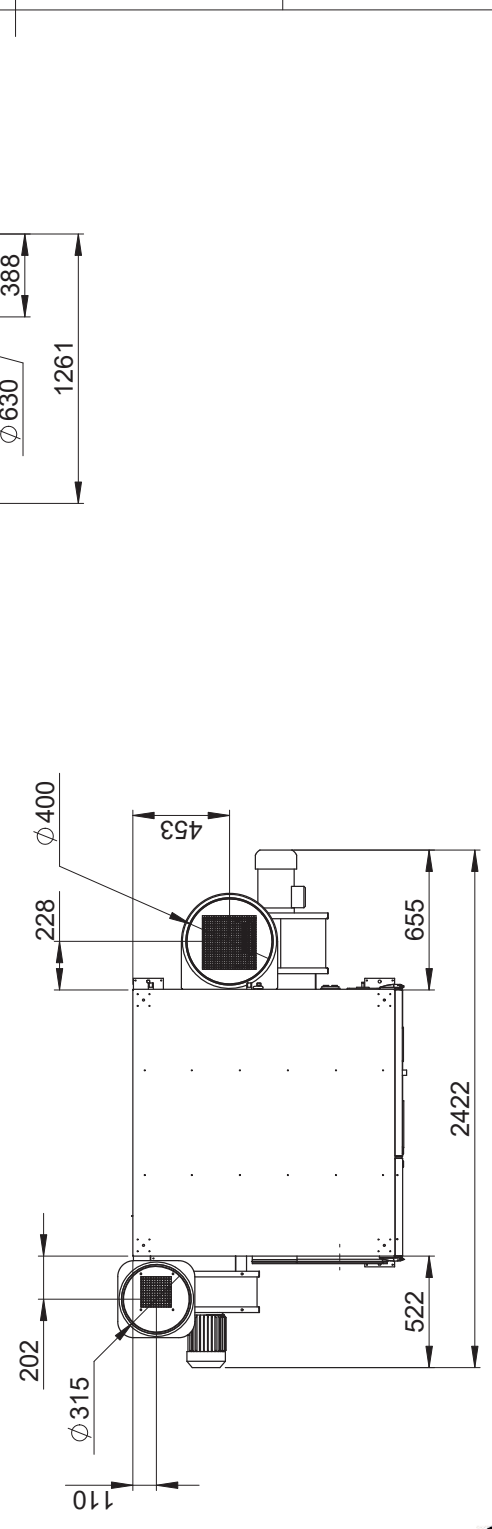
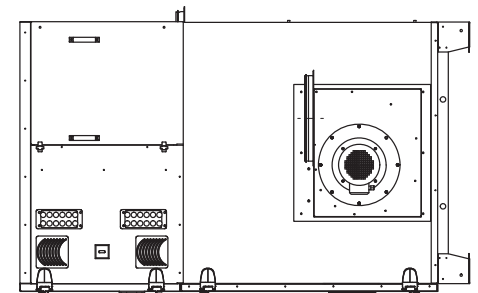
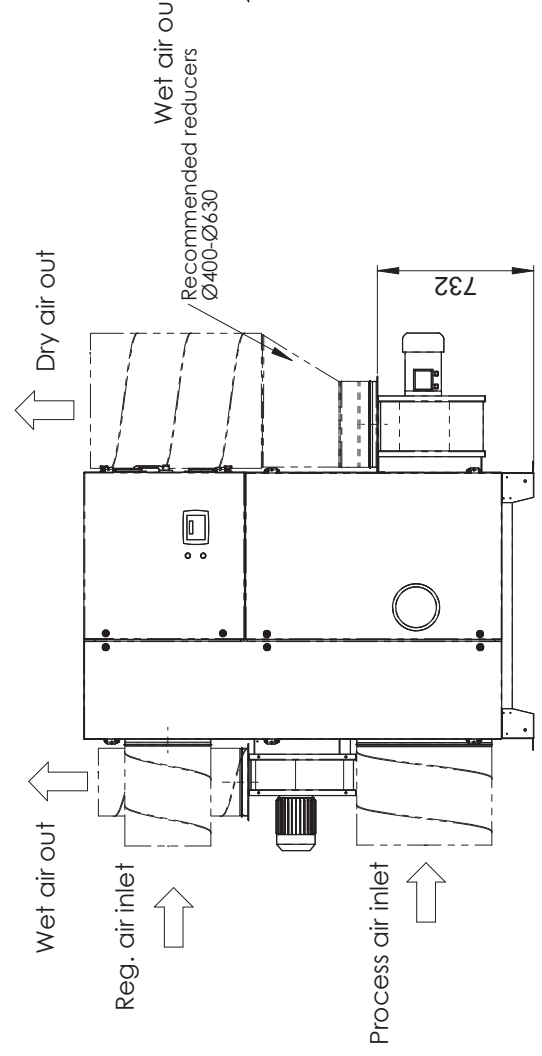
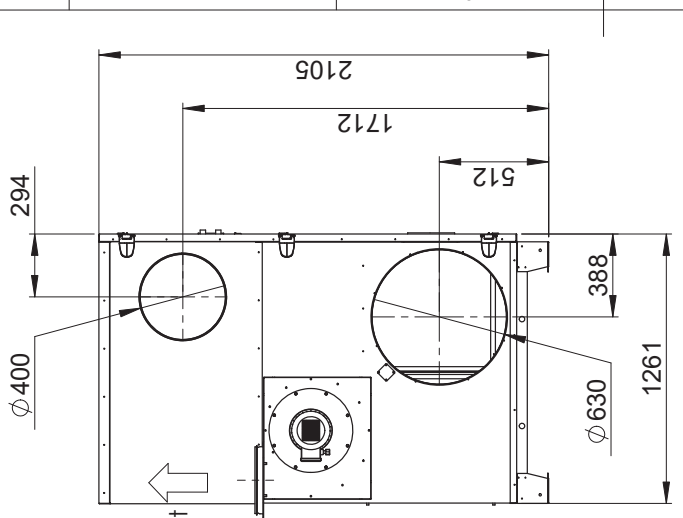


REVISIONS		DATE	APPROVED
REV.	DESCRIPTION	DATE	APPROVED
01	Recommended reducer added	2013-10-30	KS
02	Unit weight updated	2014-02-08	EL



This document and its contents are the exclusive property of DST Seibu Giken and must not be copied, reproduced, transmitted or communicated to any other party or used for purposes not expressly permitted by us.

Seibu Giken DST AB
+46 8 445 77 20
www.dst-sg.com

Designed by	Catarina S	Date	2011-03-29
Drawn by	Catarina S	Date	2011-05-17
Material		Thickness	t=
Standards	Construction	Reference	ISO 2768-1m
Scale	1:25 A3	Sheet/Sheet	1/1
		Rev Part	02
		Weight (kg)	800.000

Title/Description
Installationsritning CZ-102

Installation drawing

Drawing no
DST02680

Rev
02