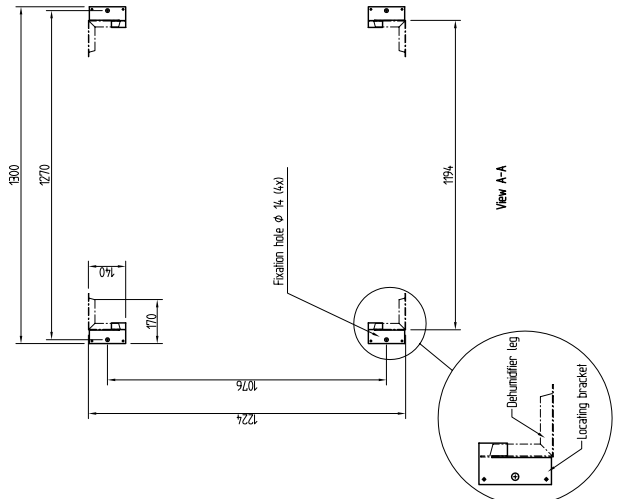
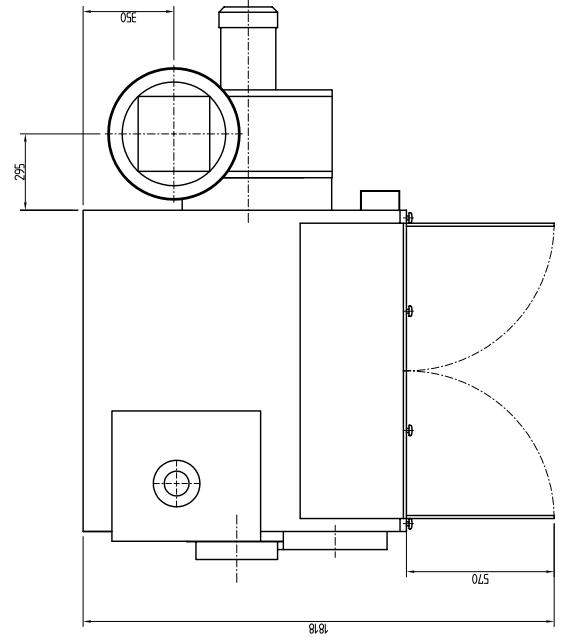
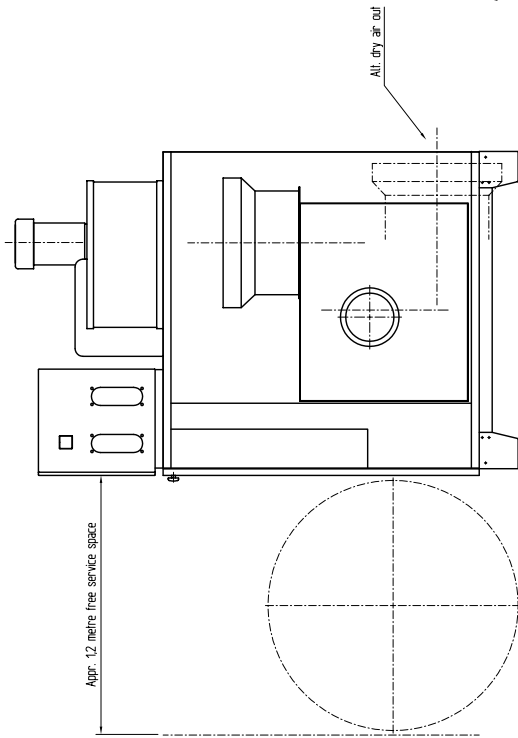
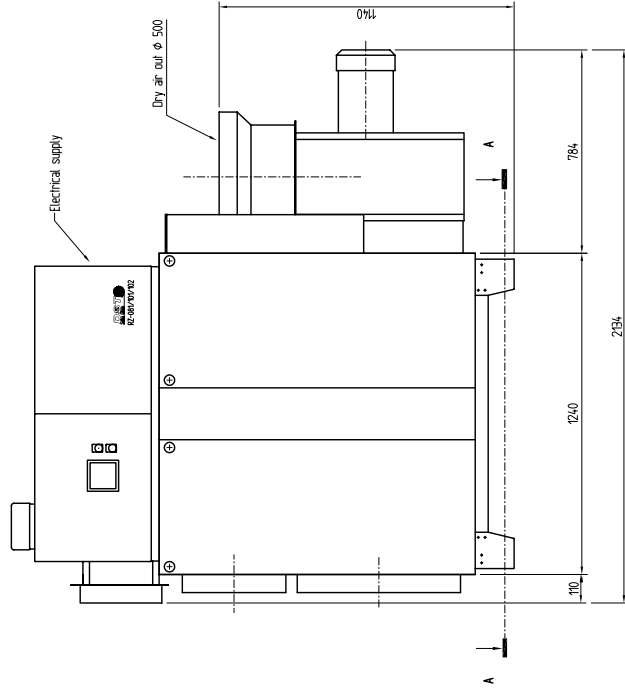
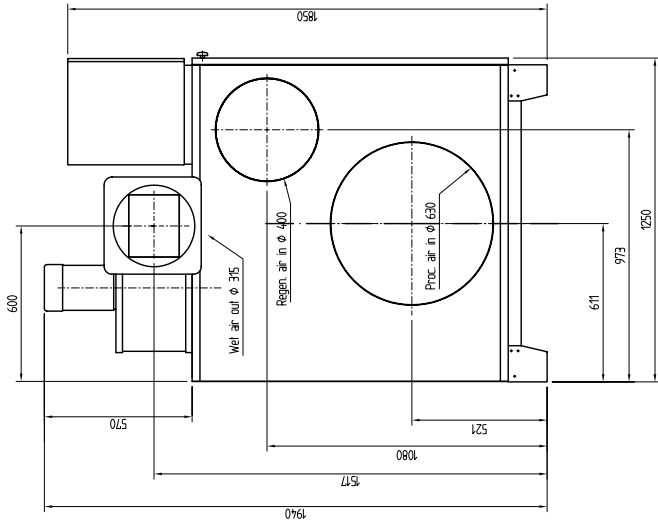


No	Rev	Change	Date	By	Check
1		New reg fan	04-01-11 AL		
2		New electric cabinet	04-03-10 AL		
3		New electric cabinet	04-06-10 AL		
3		Uppd. foot print view A-A	04-09-21 AL		



Proj. Name	Proj. No.	Rev.	Scale	Date
RECLUSORB RZ-102			1:1	98.08.24

Instalation drawing

Author	Check	Design	Rev.
			02 1 6271 03