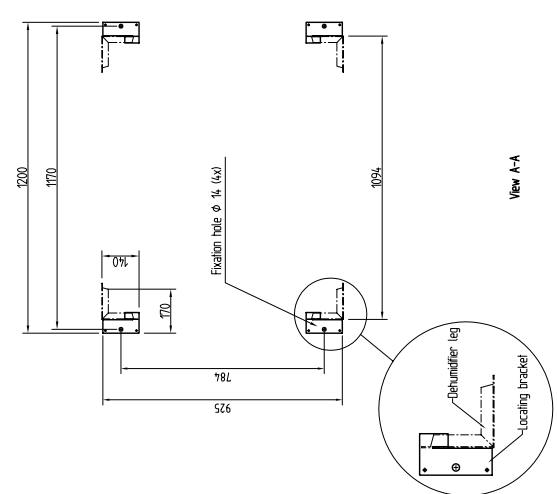
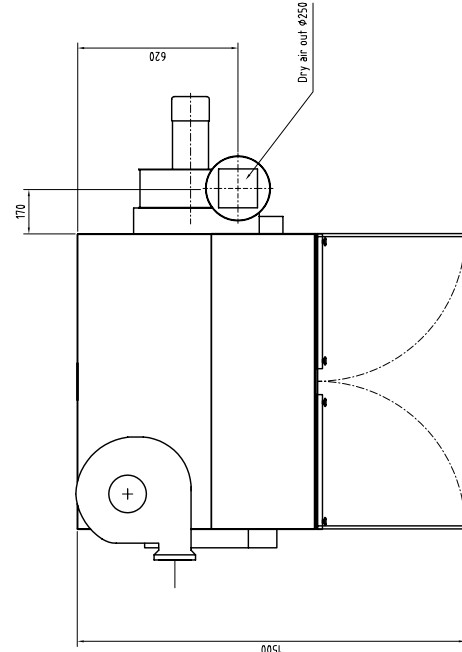
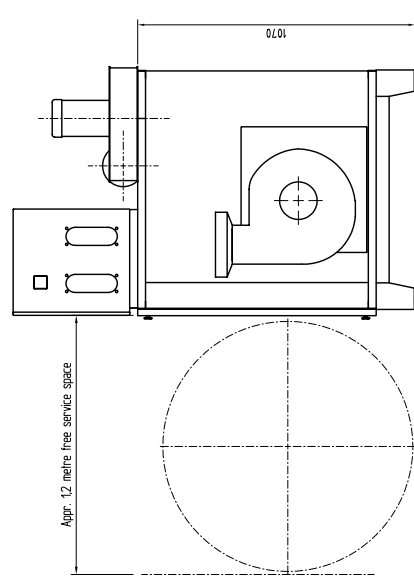
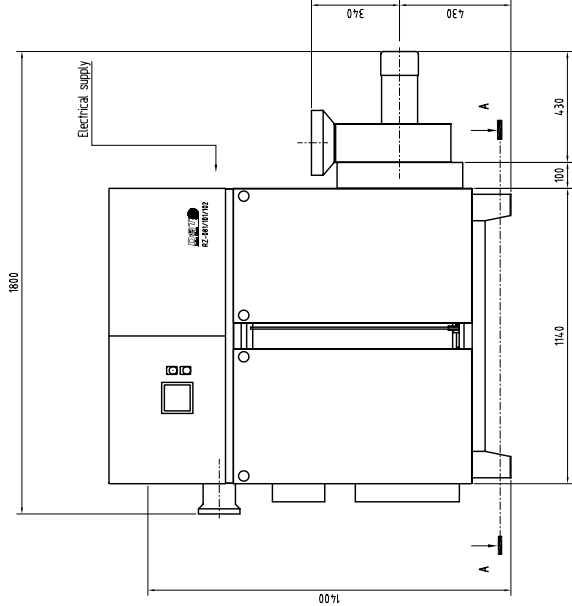
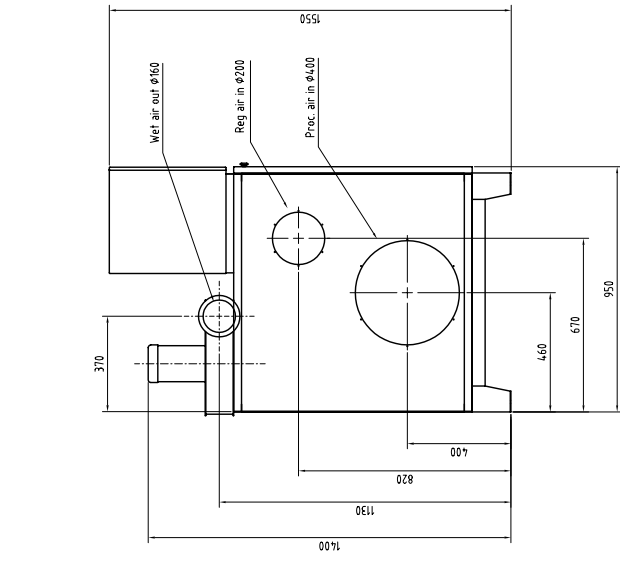


No	Qty	Description	Date	By	Check
1		New electric cabinet	04-01-23	AL	
2		New electric cabinet	04-06-24	AL	
2		Upper foot print view A-A	04-09-24	AL	



Weight: 280

View A-A