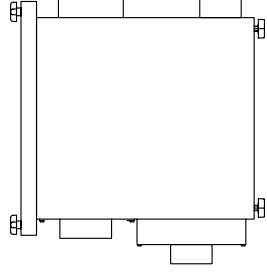
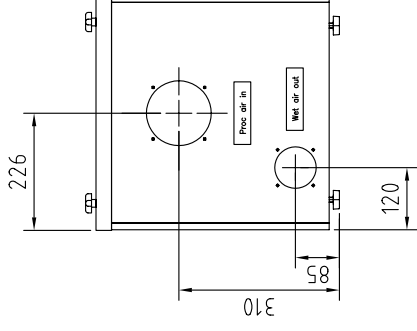
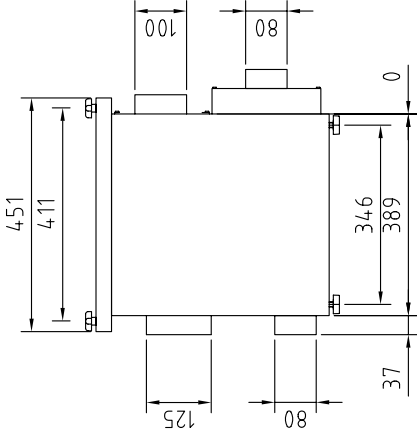
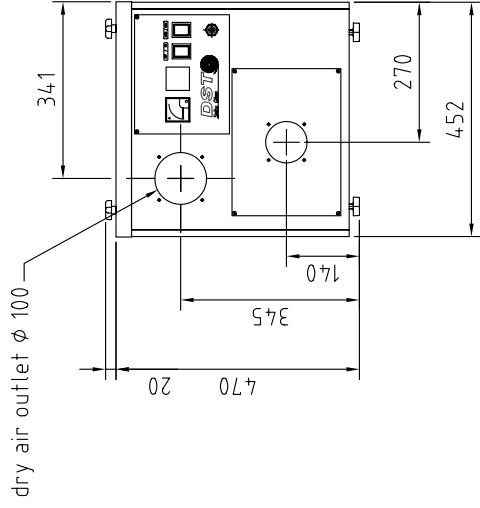
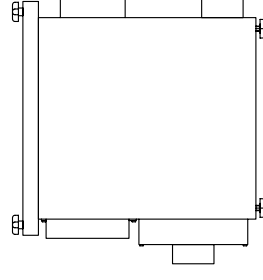
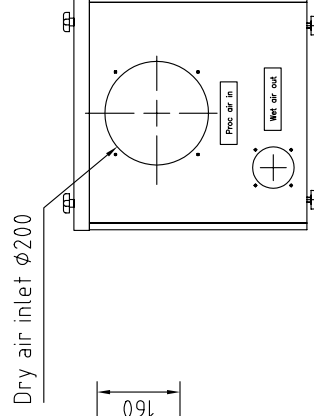
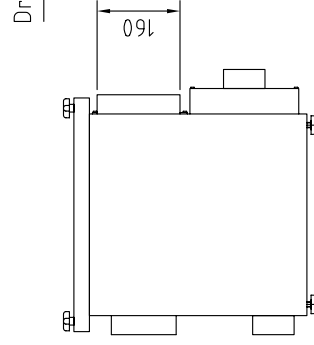
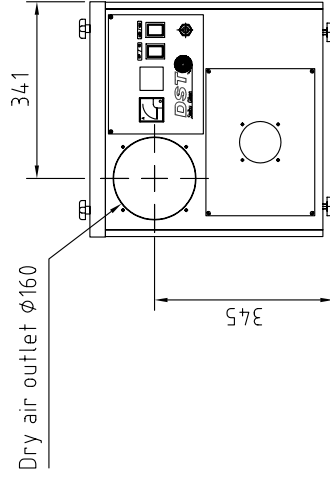


This drawing is DST Seibu Giken property. It must not, without our written permission be copied, given to third part or used for other unauthorized purpose.

DC-031B



DC-031C 16A



Nr	Modification	Date	Sign.
1	DC-031C: inlet is 200mm	9.7.2009	TFrey

Pos. nr.	Qty.	Description	Material/Type	Dimension	Supplier/Note
		 DC-031B/C Dimension dwg		General tolerance SS-ISO 2768-TM General roughness Ra 12.5	Drawn Scale 1:10 Date TF 2007-06-20 File name DC031B-C100 Rev.